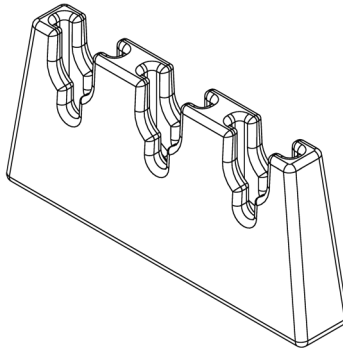


## Hold-It Table



Hold-Its are listed by part number with the Maximum Instrument Size for each Hold-It. **DO NOT OVERLOAD** individual Hold-It slots. Load only one instrument per Hold-It slot.

### HOLD-IT TABLE

PART NUMBER	DESCRIPTION	MAX INSTRUMENT/ SLOT SIZE	NO. OR TYPE OF INSTRUMENTS
IN-2652	Small Parts Box	62 x 62 x 20mm 2.43 x 2.43 x .8"	Small Parts
IN-2654	Telescoping Small Parts Tray, 3 x 3"	76 x 76 x 38-73mm 3 x 3 x 1.5-2.875"	Small Parts
IN-2656	Telescoping Small Parts Tray, 7 x 1"	181 x 29 x 31-73mm 7.12 x 1.13 x 1.5-2.875"	Small Parts
IN-3900	Hold-It, Pick & Hook, Short	5mm .197"	Five - 5mm diameter or width
IN-3910	Hold-It, Forceps Rear, Short	6mm .236"	Three - 6mm diameter or width
IN-3920	Hold-It, Forceps Front, Short	2mm .078"	Three - 2mm diameter or width
IN-3930	Hold-It, Cannula Micro-Suction, Short	1.5mm .059"	Five - 1.3mm diameter or width
IN-3940	Hold-It, Needle Holder, Tall	2mm .078"	Three - 2mm diameter or width
IN-3950	Hold-It, Large Diameter, Vented	43mm 1.692"	One - 43mm diameter or width
IN-3951	Hold-It, V-Cradle	30mm 1.181"	One - 30mm diameter or width

QUAL-4086 Rev. B | APR16 | PG 1



**HOLD-IT TABLE**

PART NUMBER	DESCRIPTION	MAX INSTRUMENT/ SLOT SIZE	NO. OR TYPE OF INSTRUMENTS
IN-3952	Hold-It, 8.5mm Single Slot	8.5mm .334"	One - 8.5mm diameter or width
IN-3955	Hold-It, 16mm	16mm .629"	Two - 16mm diameter or width
IN-3960	Hold-It, 14mm	14mm .551"	Two - 14mm diameter or width
IN-3961	Hold-It, Bariatric 5/10mm	5/10mm .394"	Five - 5/10mm diameter or width
IN-3962	Hold-It, Bariatric Handle	10.5mm .413"	Five - 10.5mm diameter or width
IN-3963	Hold-It, Lap Handle	13mm .511"	Eleven - 10mm diameter or width
IN-3964	Hold-It, Lap Instrument	10mm   .394" 5mm   .197"	Eleven - 10mm diameter or width
IN-3965	Hold-It, Handled Instrument	7.25mm .285"	Six - 7.25mm diameter or width
IN-3966	Hold-It, Short 3/5mm	3mm   .118" 5mm   .197"	Six - 5mm diameter or width
IN-3967	Hold-It, 3/5mm, Four Position	3mm   .118" 5mm   .197"	Four - 5mm diameter or width
IN-3968	Hold-It, Handled Instrument, Four Position	8mm .315"	Four - 8mm diameter or width
IN-3970	Hold-It, 12mm	12mm .472"	Two - 12mm diameter or width
IN-4900	Hold-It, Pick & Hook, Short	5mm .197"	Ten - 5mm diameter or width
IN-4905	Hold-It, Laparoscopic, Short	10mm .394	Five - 10mm diameter or width
IN-4910	Hold-It, Forceps Rear, Short	6mm .236"	Six - 6mm diameter or width
IN-4912	Hold-It Forceps Rear, Wide	6mm .236"	Six - 6mm diameter or width
IN-4920	Hold-It, Forceps Front, Short	2mm .078"	Twelve - 2mm diameter or width



**HOLD-IT TABLE**

PART NUMBER	DESCRIPTION	MAX INSTRUMENT/ SLOT SIZE	NO. OR TYPE OF INSTRUMENTS
IN-4922	Hold-It, Forceps, Wide, Short	3.8mm .149"	Twelve - 3.8mm diameter or width
IN-4940	Hold-It, Needle Holder, Tall	2mm .078"	Five - 2mm diameter or width
IN-4960	Hold-It, Curette Large Handle, Short	14mm .551"	Three - 14mm diameter or width
IN-4963	Hold-It, Curette Large Handle, Short	SLOT 1:	
		14mm .551"	Three - 14mm diameter or width
		SLOT 2:	
		2.2mm .086"	Three - 2.2mm diameter or width
IN-4964	Hold-It, Curette Large Handle, Short	17mm .669"	Four - 17mm diameter or width
IN-4965	Hold-It, Kerrison Handle	9mm .354"	Five - 9mm diameter or width
IN-4966	Hold-It, Kerrison Neck	4mm   .157" 6.25mm   .246"	Five - 6.25mm diameter or width
IN-6900	Hold-It, Laparoscope, Tall	10mm .394"	Three - 10mm diameter or width
IN-6903	Hold-It, Laparoscope, Short	10mm .394"	Three - 10mm diameter or width
IN-6904	Hold-It, Laparoscope, Short	10mm .394"	Four - 10mm diameter or width
IN-6905	Hold-It, Short, 5 Position	5mm .197"	Five - 5mm diameter or width
IN-6906	Hold-It, Three Position	14mm   .551" 16mm   .629" 19mm   .748"	One - 14mm One - 16mm One - 19mm
IN-6907	Hold-It, Narrow Slot, 4 Position	3.3mm .129"	Four - 3.3mm diameter or width
IN-6909	Hold-It, 1.5/5/8mm, Six Position	1.5mm   .059" 5mm   .197" 8mm   .315"	Six - 8mm diameter or width



**HOLD-IT TABLE**

PART NUMBER	DESCRIPTION	MAX INSTRUMENT/ SLOT SIZE	NO. OR TYPE OF INSTRUMENTS	
IN-6910	Hold-It, Rigid Scope, Combo, Tall	14mm .551"	One - 14mm diameter or width	
IN-6912	Hold-It, Rigid Scope, Shafts, Tall	5mm .197"	Two - 5mm diameter or width	
IN-6913	Hold-It, Rigid Scope	14mm   .551" 10mm   .394"	One - 14mm diameter or width Two - 10mm diameter or width	
IN-6914	Hold-It, Rigid Scope	SLOT 1:		
		14mm .551"	Two - 14mm diameter or width	
		SLOT 2:		
		10mm .394"	One - 10mm diameter or width	
IN-6915	Hold-It, Tall, Threaded Insert, 5 Position	2mm   .078" 3mm   .118" 5mm   .197"	5 - 2mm or 5 - 3mm or 5 - 5mm	
IN-6916	Hold-It, Laparoscopic, Threaded Inserts Square	10mm .394"	Three - 10mm diameter or width	
IN-6917	Hold-It, 6.5/13mm, Two Position	6.5mm   .256" 13mm   .512"	Two - 13mm diameter or width	
IN-6918	Hold-It, 26mm, Two Position	26mm   1.023"	Two - 26mm diameter or width	
IN-6919	Hold-It, <i>daVinci</i> Dual Scope, 12mm, 13°, Two Position	12mm   .472"	Two - 12mm diameter or width	
IN-6920	Hold-It, Scissors Rear	SLOT 1:		
		19mm .748"	Ring Handles, 19mm diameter ring handle minimum	
		SLOT 2:		
		26mm 1.023"		



**HOLD-IT TABLE**




PART NUMBER	DESCRIPTION	MAX INSTRUMENT/ SLOT SIZE	NO. OR TYPE OF INSTRUMENTS
IN-6921	Hold-It, Scissors Rear, Short	SLOT 1:	Ring Handles, 19mm diameter ring handle minimum
		19mm .748"	
		SLOT 2:	
		26mm 1.023"	
IN-6922	Hold-It, Scissors Rear, Tall	SLOT 1:	Ring Handles, 19mm diameter ring handle minimum
		19mm .748	
		SLOT 2:	
		9mm .354"	
IN-6923	Hold-It, Scissors Rear, Short	SLOT 1:	Ring Handles, 19mm diameter ring handle minimum
		19mm .748"	
		SLOT 2:	
		65mm 2.559"	
IN-6924	Hold-It, Scissors Rear, Short	SLOT 1:	Ring Handles, 19mm diameter ring handle minimum
		19mm .748"	
		SLOT 2:	
		65mm 2.559"	
IN-6925	Hold-It, Scissors Single Post, Short	19mm .748"	Ring Handles, 19mm diameter ring handle minimum
IN-6926	Hold-It, Scissor Post, Tall	19mm .748"	Ring Handles, 19mm diameter ring handle minimum
IN-6927	Hold-It, "L" Post	—	Supports below and on one side
IN-6928	Hold-It, "U" Cradle	45mm 1.77"	One - 45mm width




**HOLD-IT TABLE**

PART NUMBER	DESCRIPTION	MAX INSTRUMENT/ SLOT SIZE	NO. OR TYPE OF INSTRUMENTS
IN-6929	Hold-It, Claw Cradle	42mm 1.65"	Supports below and on three sides
IN-6930	Hold-It, Forceps, Ring Handle, Four Position	28mm   1.10" 34mm   1.37"	Ring Handles, 28mm diameter ring handle minimum
IN-6931	Hold-It, Forceps, Tip, Four Position	2mm .079"	Four - 2mm width
IN-6945	Hold-It, Closed Top, Tall	5mm .197"	Five - 5mm diameter or width
IN-6955	Hold-It, Instrument Short	5mm .197"	Five - 5mm diameter or width

**Symbol Reference Key**

	Consult Instructions for use
	Quantity
<b>REF</b>	Catalog Number
<b>LOT</b>	Lot Number
	Date of Manufacture

Not made with natural rubber latex.

 Manufactured by:



815 Northwest Parkway, Suite 100  
St. Paul, MN 55121 | USA

P: 651-789-3939 | 888-229-2875

F: 651-789-3979 | 888-229-1941

[www.summitmedicalusa.com](http://www.summitmedicalusa.com)

InstruSafe is a registered trademark of Summit Medical, Inc.  
All rights reserved.



MDSS GmbH  
Schiffgraben 41  
D-30175 Hannover, Germany



Summit Medical, Inc.  
815 Northwest Pkwy, Ste 100  
St. Paul, MN 55121



View complete details of our growing product line at [instrusafe.com](http://instrusafe.com).



P: 1.888.229.2875

F: 1.888.229.1941



**INSTRUSAFE**